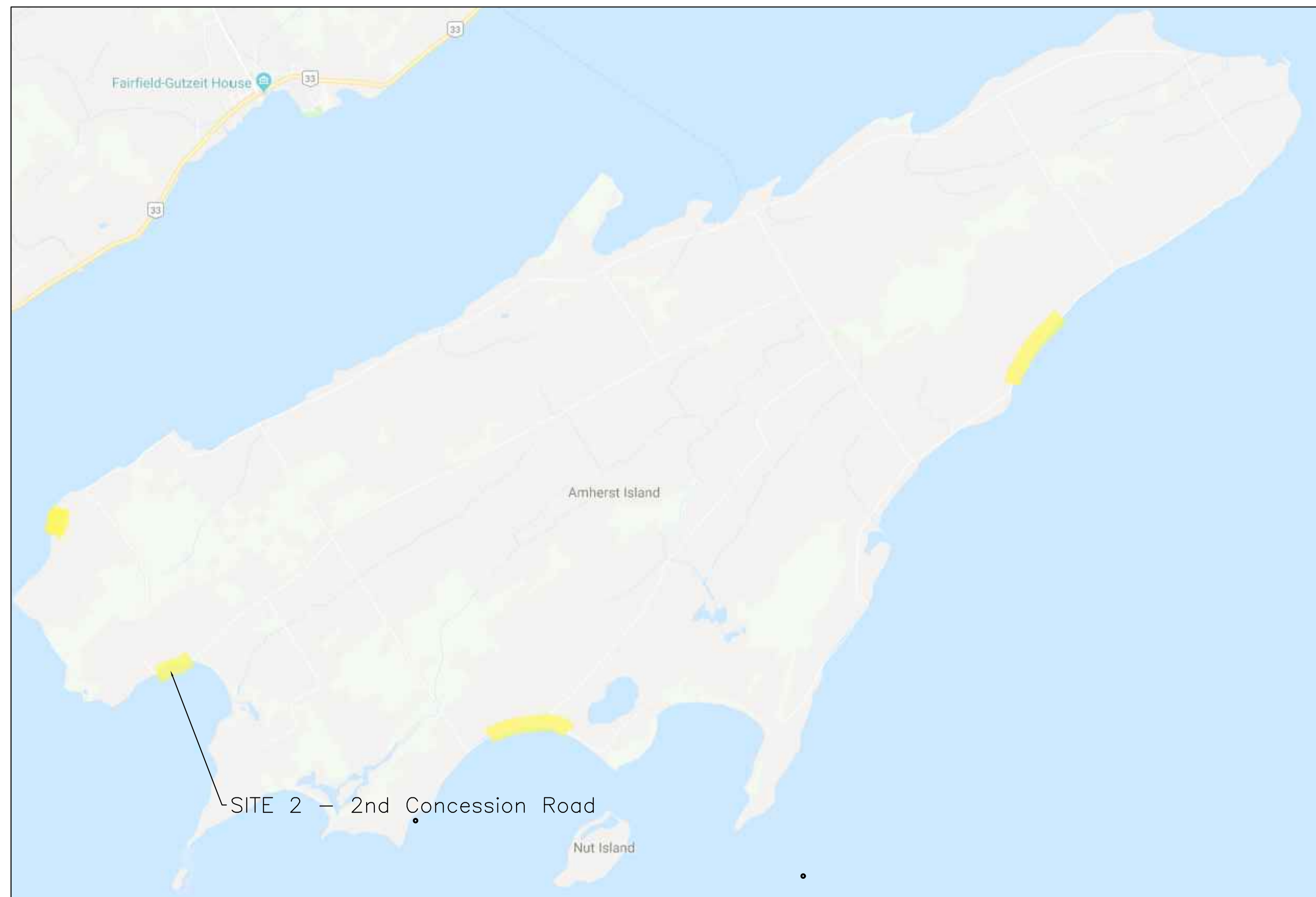


# LOYALIST TOWNSHIP

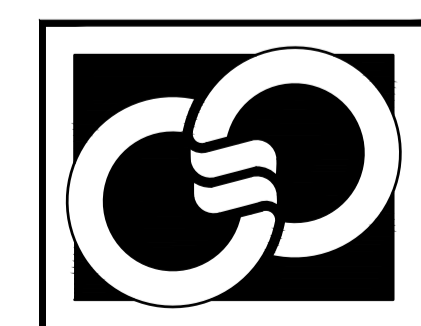
## AMHERST ISLAND FLOOD DAMAGE REPAIR DESIGN 2nd Concession Road SITE LOCATION: LOYALIST, ONTARIO

### LIST OF DRAWINGS

C0-00	COVER PAGE	D1-00	NOTES AND DETAILS
C1-00	STA 0+000 - STA 0+280		
C2-00	STA 0+280 - STA 0+498		



THE GREER GALLOWAY GROUP INC.  
ENGINEERS • PLANNERS



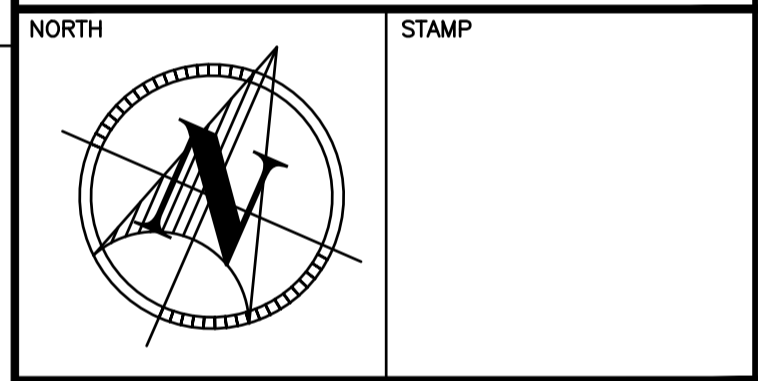
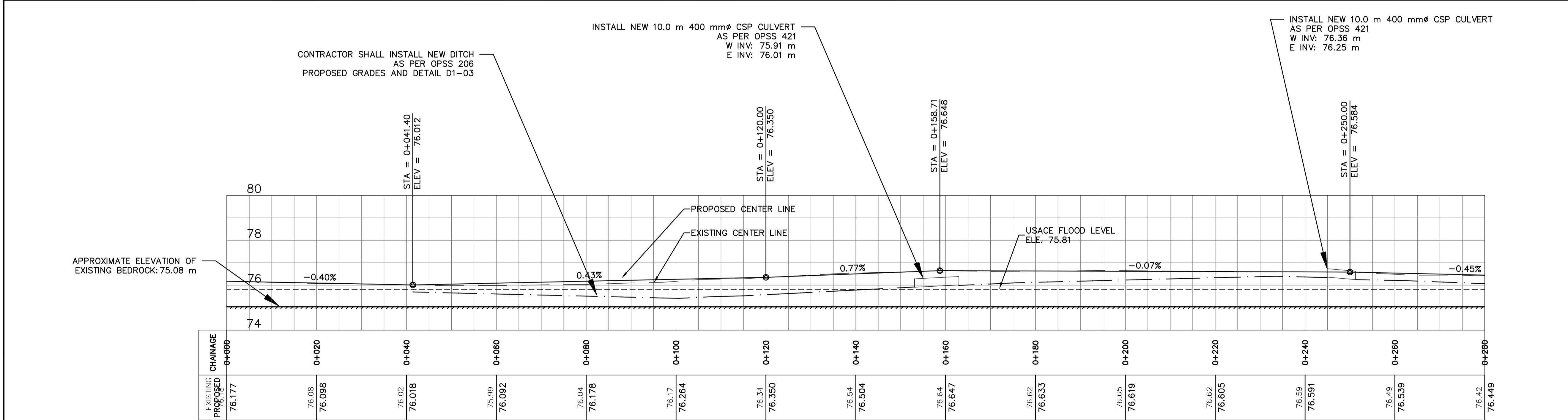
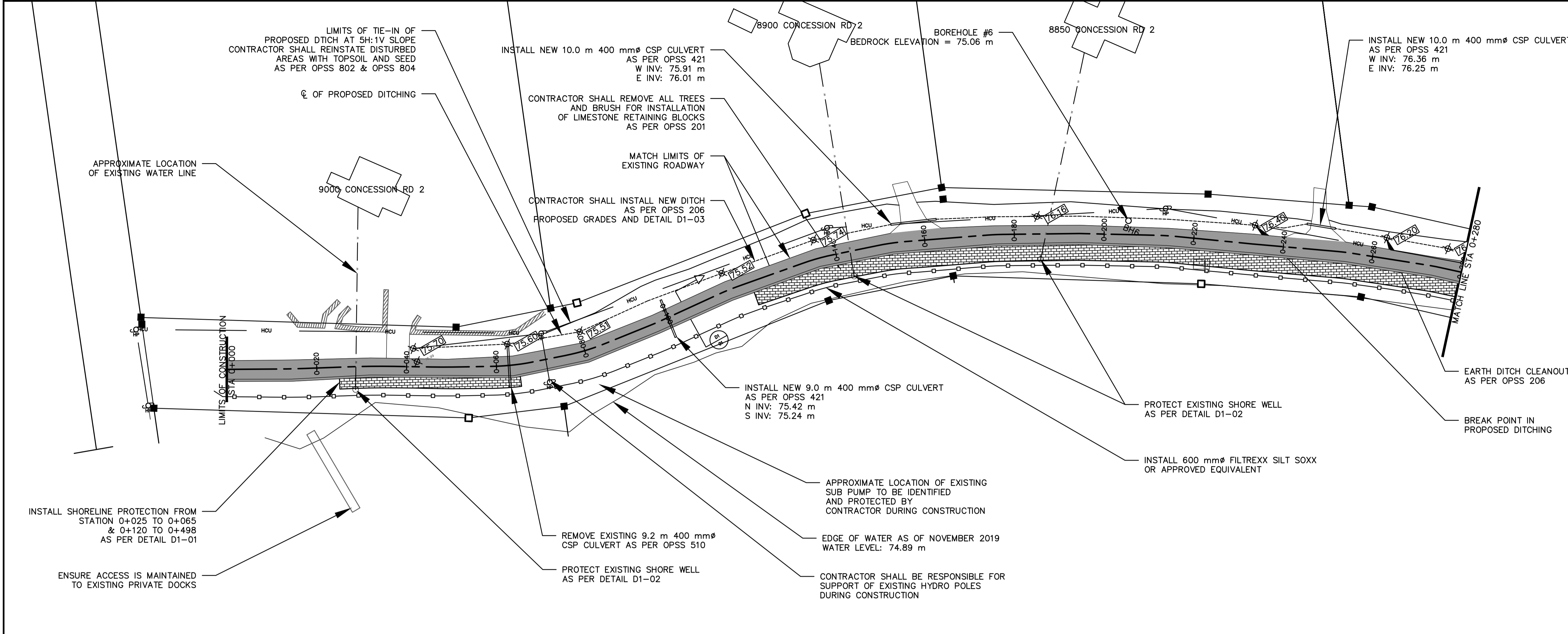
PETERBOROUGH  
BELLEVILLE  
KINGSTON

640 CATARAQUI WOODS DRIVE, UNIT 2A  
KINGSTON, ONTARIO K7P 2Y5  
PHONE: (613) 536-5420

- NOTES:
1. ALL WORK SHALL BE IN ACCORDANCE WITH RELEVANT CODES AND GUIDELINES.
  2. ALL DRAWINGS AND ADDENDA ARE TO BE READ AS, AND IN CONJUNCTION WITH THE SPECIFICATIONS.
  3. ALL EQUIPMENT SHALL BE INSTALLED AS SPECIFIED OR APPROVED EQUIVALENT.
  4. CONTRACTOR MUST CHECK AND VERIFY ALL DIMENSIONS BEFORE PROCEEDING WITH WORK AND BE RESPONSIBLE FOR SAME.
  5. CONTRACTOR MUST REPORT ANY DISCREPANCIES TO ENGINEER FOR RESOLUTION BEFORE COMMENCING THE WORK.
  6. ANY CHANGES MUST BE APPROVED BY THE ENGINEER.

(A) A DETAIL NO.  
(B) B DRAWING NO. - WHERE DETAILED

- LEGEND
- PROPOSED ROAD
  - PROPOSED SEDIMENT BARRIER
  - PROPOSED LIMESTONE BLOCKS
  - EXISTING SHORE WELL
  - EXISTING STONE WALL
  - EXISTING HYDRO POLE
  - EXISTING WATER LINE



PROJECT  
AMHERST ISLAND FLOOD  
DAMAGE REPAIR DESIGN  
LOYALIST, ON

DRAWING TITLE  
2ND CONCESSION RD  
STA 0+000 - 0+280

05	
04	
03	
02	
01	
REVISION	DATE

DESIGNED BY  
K. HAWLEY

DRAWN BY  
A.H./R.A

REVIEWED BY

APPROVED BY

PROJECT DATE  
25/11/2019 (DD/MM/YYYY)

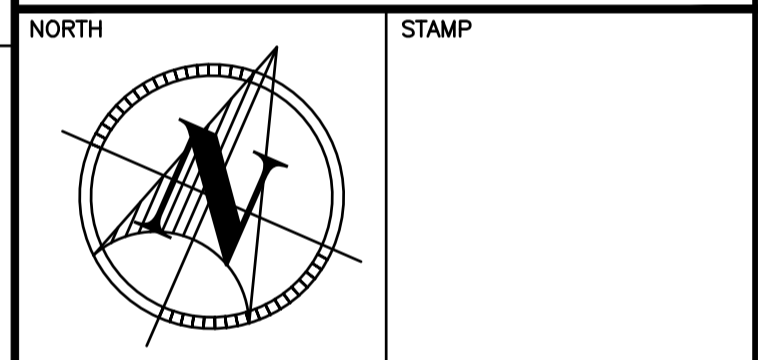
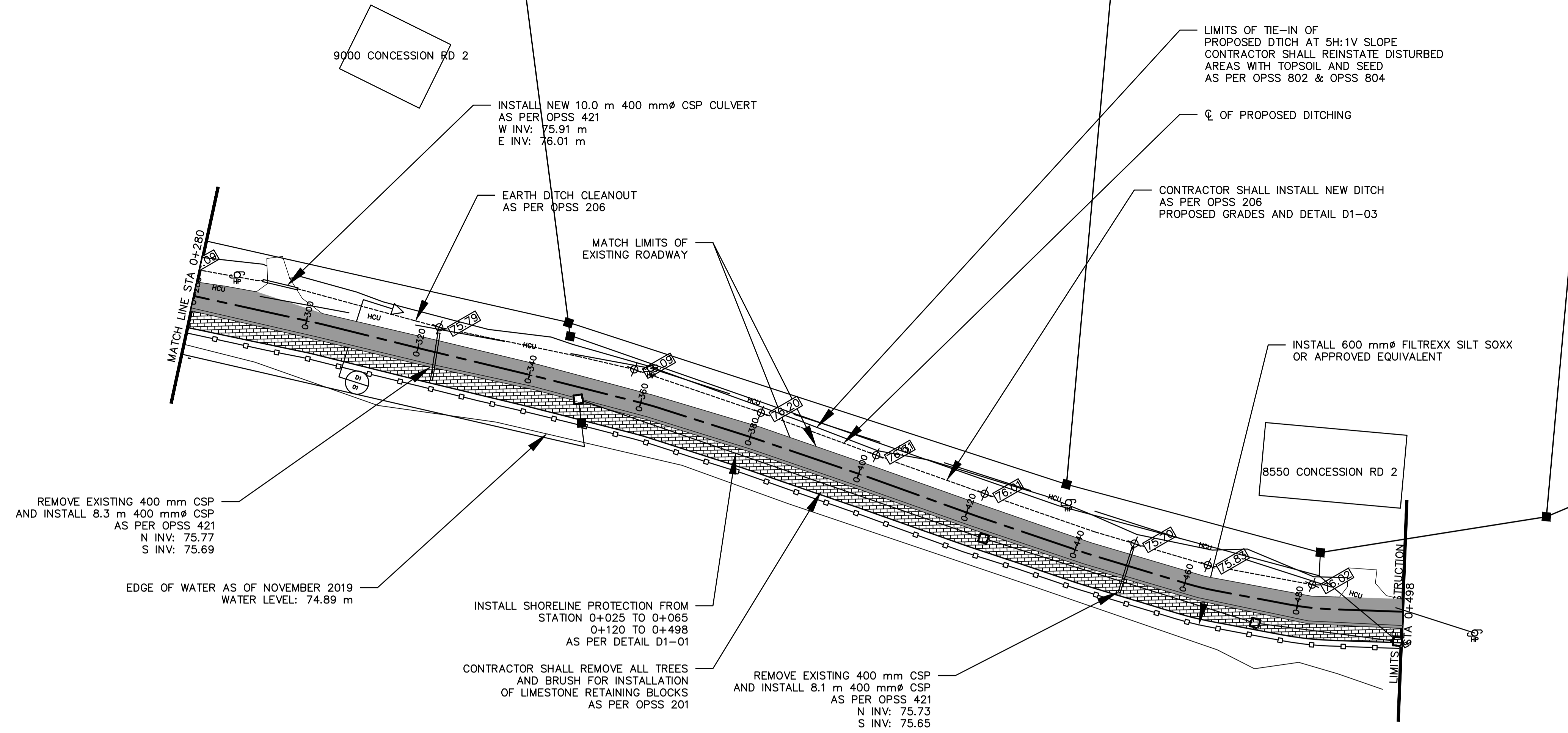
PROJECT #  
19-5-5167 SCALE  
HOR: 1:500  
VER: 1:100

DRAWING #  
C1

- NOTES:
1. ALL WORK SHALL BE IN ACCORDANCE WITH RELEVANT CODES AND GUIDELINES.
  2. ALL DRAWINGS AND ADDENDA ARE TO BE READ AS, AND IN CONJUNCTION WITH THE SPECIFICATIONS.
  3. ALL EQUIPMENT SHALL BE INSTALLED AS SPECIFIED OR APPROVED EQUIVALENT.
  4. CONTRACTOR MUST CHECK AND VERIFY ALL DIMENSIONS BEFORE PROCEEDING WITH WORK AND BE RESPONSIBLE FOR SAME.
  5. CONTRACTOR MUST REPORT ANY DISCREPANCIES TO ENGINEER FOR RESOLUTION BEFORE COMMENCING THE WORK.
  6. ANY CHANGES MUST BE APPROVED BY THE ENGINEER.

A A DETAIL NO.  
B B DRAWING NO. - WHERE DETAILED

- LEGEND
- PROPOSED ROAD
  - PROPOSED SEDIMENT BARRIER
  - PROPOSED LIMESTONE BLOCKS
  - EXISTING SHORE WELL
  - EXISTING STONE WALL
  - EXISTING HYDRO POLE
  - EXISTING WATER LINE



PROJECT  
AMHERST ISLAND FLOOD  
DAMAGE REPAIR DESIGN

LOYALIST, ON

DRAWING TITLE  
2ND CONCESSION RD  
STA 0+280 - 0+498

05		
04		
03		
02		
01		
REVISION		DATE

DESIGNED BY  
K. HAWLEY

DRAWN BY  
A.H./R.A.

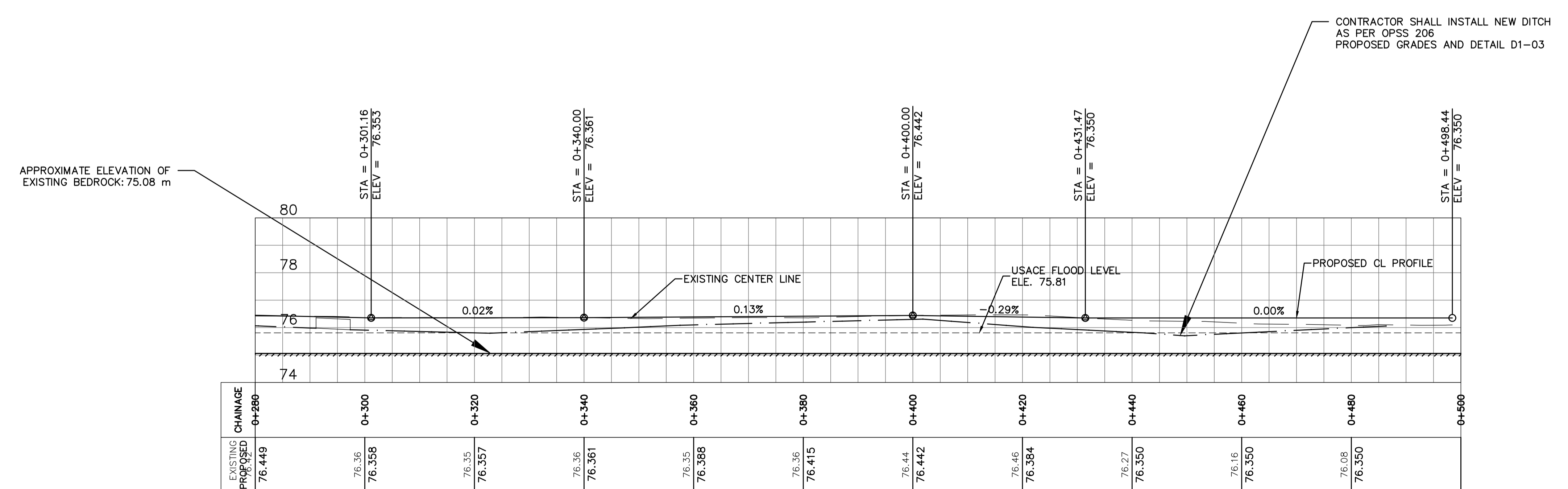
REVIEWED BY

APPROVED BY

PROJECT DATE  
25/11/2019  
(DD/MM/YYYY)

PROJECT #  
19-5-5167  
SCALE  
HOR: 1:500  
VER: 1:100

DRAWING #  
C2



**NOTES**

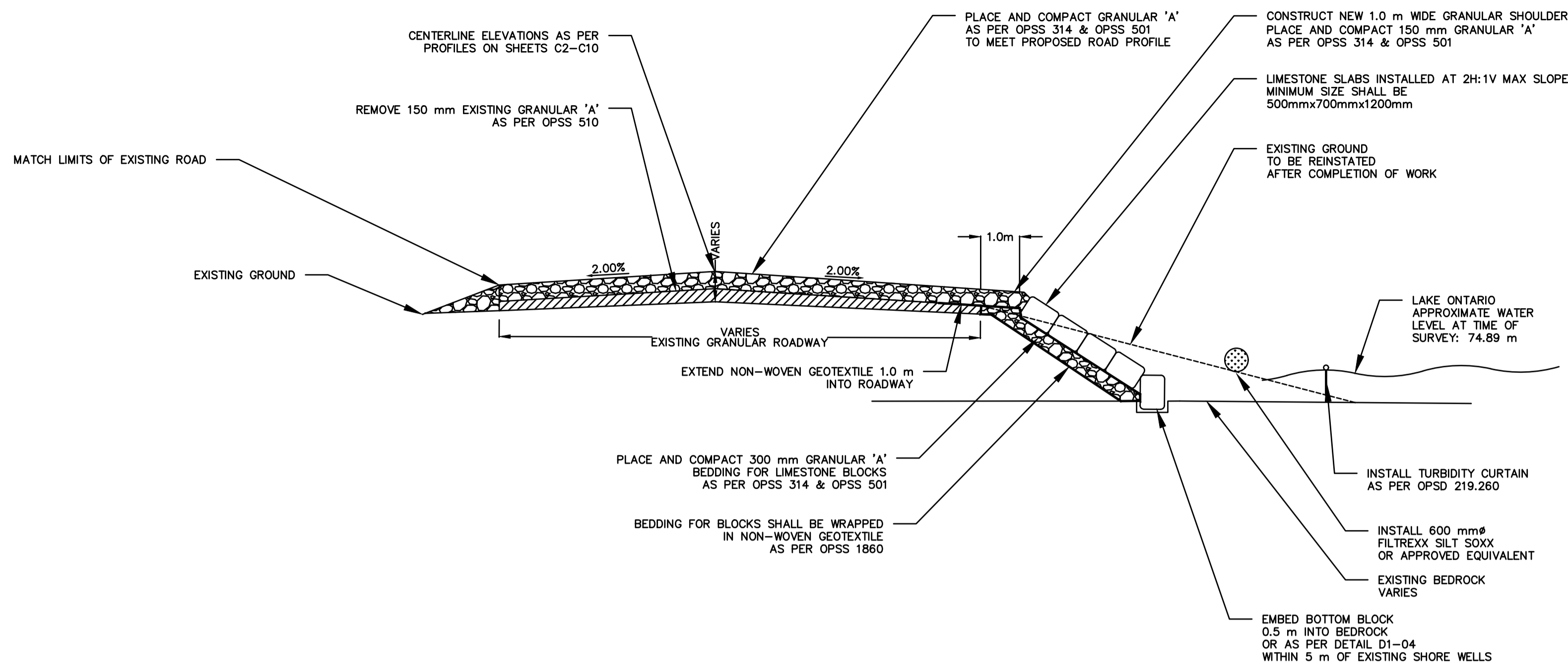
1. ALL OPSS AND OPSD SHALL BE THE CURRENT PUBLICATIONS AT THE TIME OF TENDER.
2. ALL SEDIMENT AND EROSION CONTROLS SHALL BE INSTALLED PRIOR TO THE ANY AND ALL CONSTRUCTION ACTIVITIES WITH THE POTENTIAL TO GENERATE SEDIMENT.
3. THE SEDIMENT AND EROSION CONTROL MEASURES SHOWN ARE MINIMUM GUIDELINES. IT IS ULTIMATELY THE CONTRACTOR'S RESPONSIBILITY TO ENSURE THAT THE MEASURES ARE WORKING EFFECTIVELY AND TO PROVIDE ADDITIONAL MEASURES IF NECESSARY.
4. BLOCKS USED FOR RETAINING PURPOSES SHALL BE QUARRIED SOUND LIMESTONE OR APPROVED EQUIVALENT. ANY PROPOSED EQUIVALENTS SHALL BE COMMUNICATED IN WRITING TO THE CONTRACT ADMINISTRATOR AT LEAST 2 WEEKS PRIOR TO PLACEMENT.
5. COMPACTION AND PHYSICAL TESTING FOR GRANULAR BASE MATERIALS SHALL BE CARRIED OUT AT THE DISCRETION OF THE OWNER AND CONTRACT ADMINISTRATOR.
6. THE CONTRACTOR IS RESPONSIBLE FOR OBTAINING LOCATES PRIOR TO CONSTRUCTION AND PROTECTING EXISTING UTILITIES THROUGHOUT CONSTRUCTION.
7. WATER LEVELS SHOWN ARE APPROXIMATE ONLY. THE OWNER SHALL NOT BE RESPONSIBLE FOR COSTS ASSOCIATED WITH FLUCTUATING WATER LEVELS.
8. TRAFFIC CONTROL, INCLUDING FLAGGING, IS THE RESPONSIBILITY OF THE CONTRACTOR. AT LEAST ONE LANE SHALL BE KEPT OPEN TO TRAFFIC AT ALL TIMES. SIGNAGE SHALL BE AS PER OTM BOOK 7.
9. ALL DISTURBED AREAS WITH PRE-EXISTING VEGETATION SHALL BE RESTORED WITH 50 mm TOPSOIL AND SEED AS PER OPSS 802 & OPSS 804.
10. THE CONTRACTOR SHALL BE RESPONSIBLE FOR REVIEWING THE PROPOSED WORK PRIOR TO AND THROUGHOUT CONSTRUCTION. ANY IDENTIFIED CONFLICTS SHALL BE REPORTED IMMEDIATELY TO THE CA.
11. TREE REMOVALS SHALL BE CONFIRMED BY THE CA PRIOR TO CONSTRUCTION. TREES TO BE PROTECTED AS PER OPSS 801 & OPSD 220.010 SHALL BE IDENTIFIED AT THAT TIME.
12. NO ROCK REMOVAL SHALL OCCUR WITHIN 5 METERS OF EXISTING SHORE WELLS.
13. RETAINING BLOCKS SHALL BE SECURED IN-PLACE WITH ANCHOR RODS EMBEDDED 300 mm IN BEDROCK ADJACENT TO EXISTING SHORE WELLS.

**NOTES:**

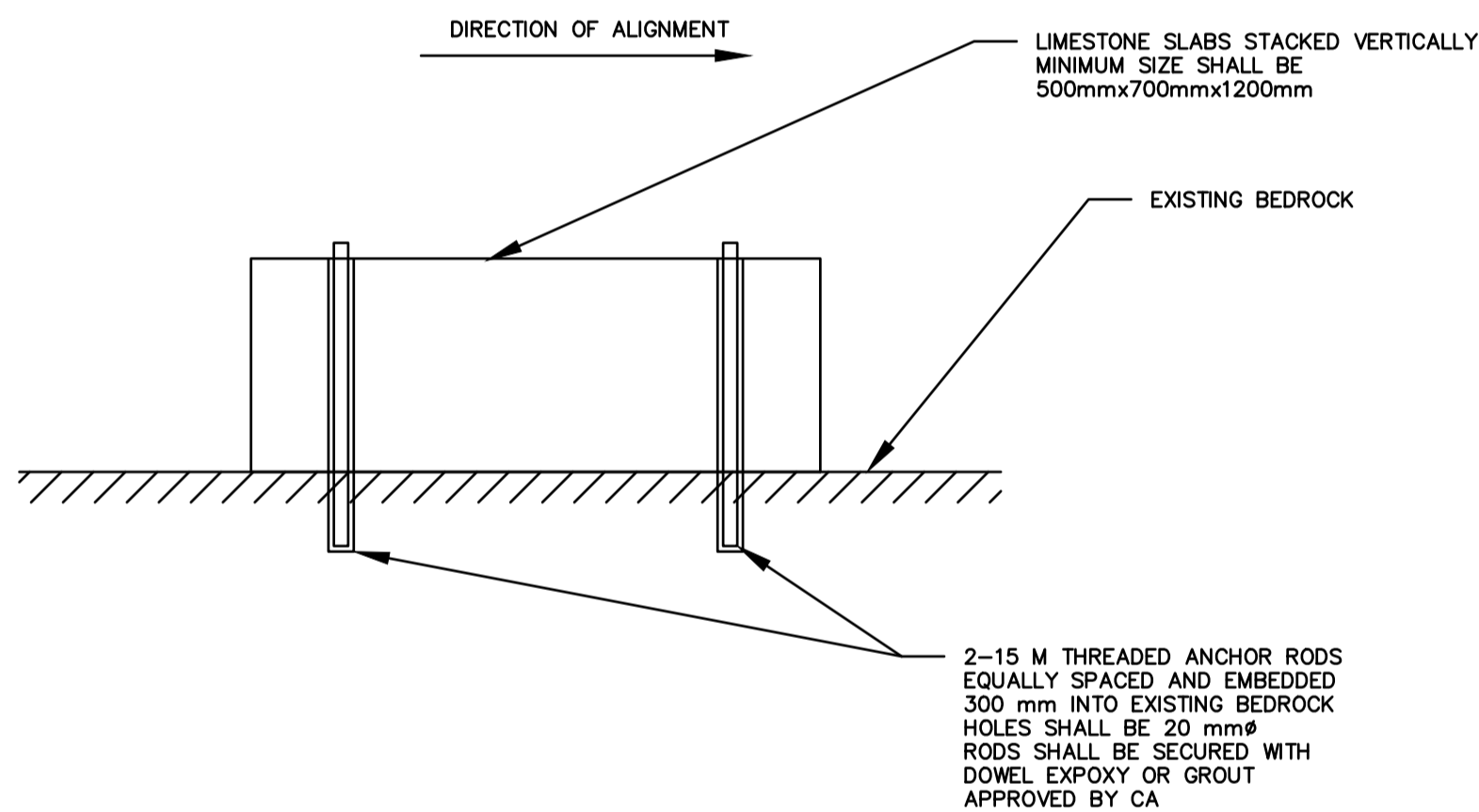
1. ALL WORK SHALL BE IN ACCORDANCE WITH RELEVANT CODES AND GUIDELINES.
2. ALL DRAWINGS AND ADDENDA ARE TO BE READ AS, AND IN CONJUNCTION WITH THE SPECIFICATIONS.
3. ALL EQUIPMENT SHALL BE INSTALLED AS SPECIFIED OR APPROVED EQUIVALENT.
4. CONTRACTOR MUST CHECK AND VERIFY ALL DIMENSIONS BEFORE PROCEEDING WITH WORK AND BE RESPONSIBLE FOR SAME.
5. CONTRACTOR MUST REPORT ANY DISCREPANCIES TO ENGINEER FOR RESOLUTION BEFORE COMMENCING THE WORK.
6. ANY CHANGES MUST BE APPROVED BY THE ENGINEER.

(A) A DETAIL NO.  
(B) B DRAWING NO. - WHERE DETAILED

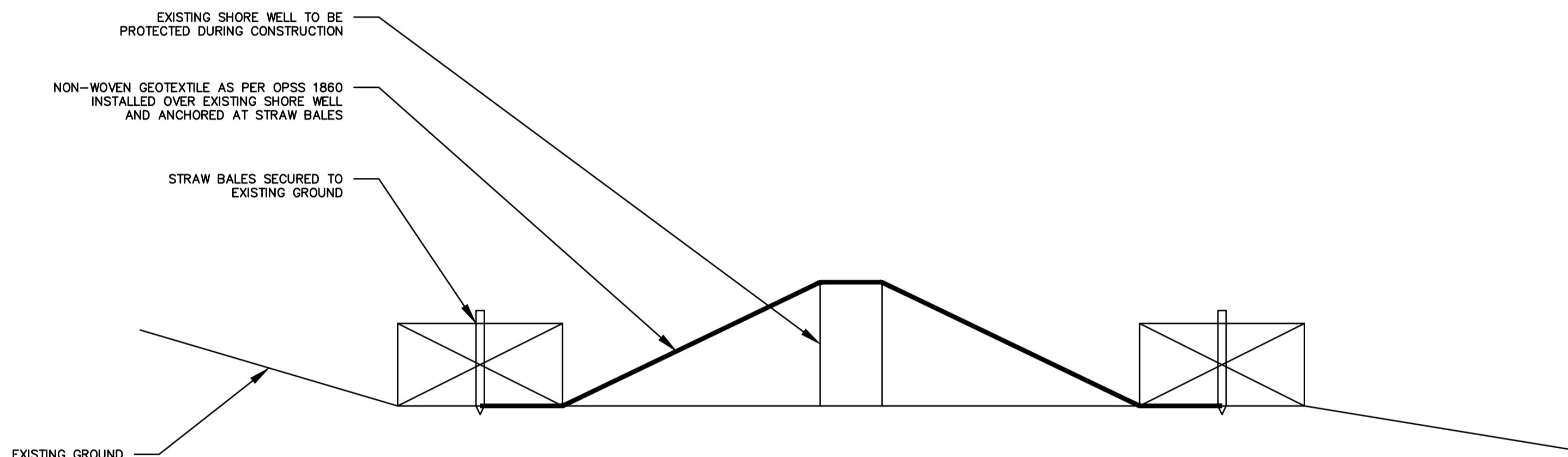
**LEGEND**



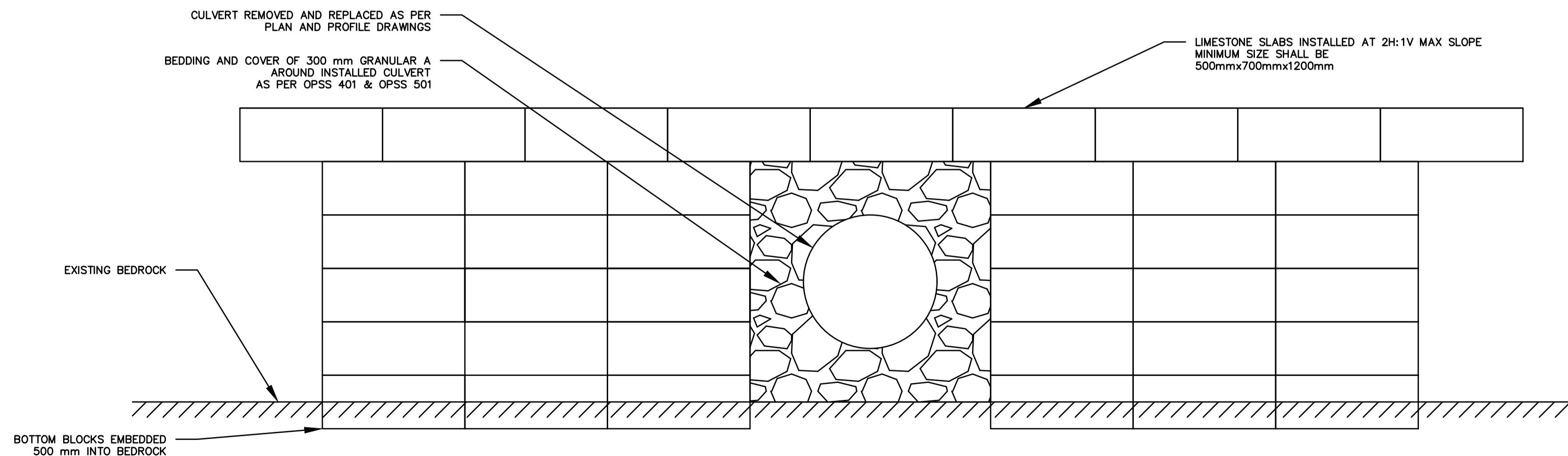
**01**  
**D1** **TYPICAL RECONSTRUCTION WITH LIMESTONE BLOCKS**  
SCALE: NTS



**03**  
**D1** **TYPICAL BLOCK ADJACENT TO SHORE WELL**  
SCALE: NTS



**02**  
**D1** **TYPICAL SHORE WELL PROTECTION DETAIL**  
SCALE: NTS



**03**  
**D1** **TYPICAL CULVERT OUTLET IN RETAINING BLOCKS**  
SCALE: NTS

NORTH	STAMP
-------	-------

PROJECT  
**AMHERST ISLAND FLOOD DAMAGE REPAIR DESIGN**  
LOYALIST, ON

DRAWING TITLE  
**NOTES AND DETAILS**

05		
04		
03		
02		
01	ISSUED FOR REVIEW	03/18/20
REVISION		DATE

DESIGNED BY  
**K. Hawley**

DRAWN BY  
**A.Hicks/R.Asselstine**

REVIEWED BY

APPROVED BY

PROJECT DATE  
**25/11/2019**

PROJECT #  
**19-5-5167**

DRAWING #  
**D1**

SCALE  
HOR: NTS  
VER: NTS